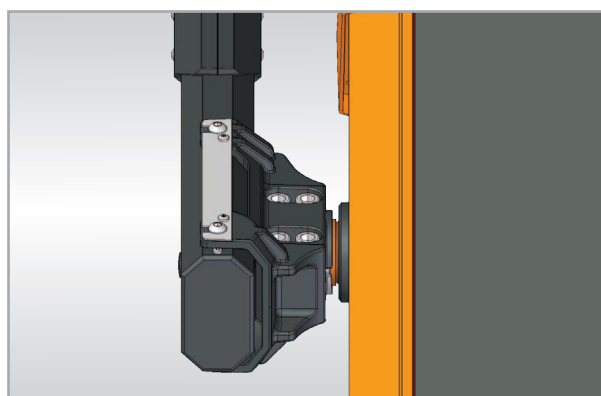
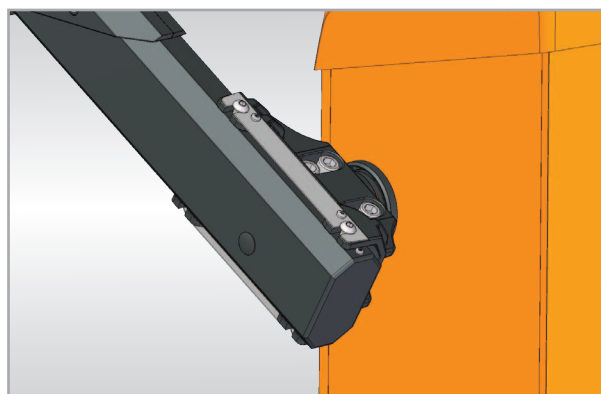
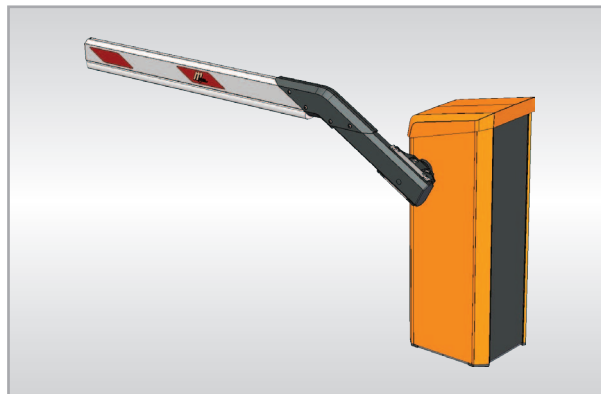


Accessories for the barrier boom

Break-away flange (FLVB02)

The flange set FLVB02 is designed especially for the parking industry. It enables the ejection of the whole barrier boom after it was hit by a vehicle.

Afterwards, the barrier boom can be simply re-installed without any subsequent impairment of function.



Supported barrier types

Magnetic.Parking	all
------------------	-----